

3DEXPERIENCE

CATIA V6 Associate – Part Design (PDG) Sample Exam

V2-2015/03/30

CATIA V6 Associate - Part Design (PDG)

Sample Exam

DISCLAIMER:

The purpose of this sample exam is to show you the format and approximate difficulty level of the real exam. It is not meant to give away the content of the real exam.

The questions are an example of what to expect in the real exam in the following sections:

- Drafting
- Part Modeling

You will create parts and modify them.

How to take this sample exam:

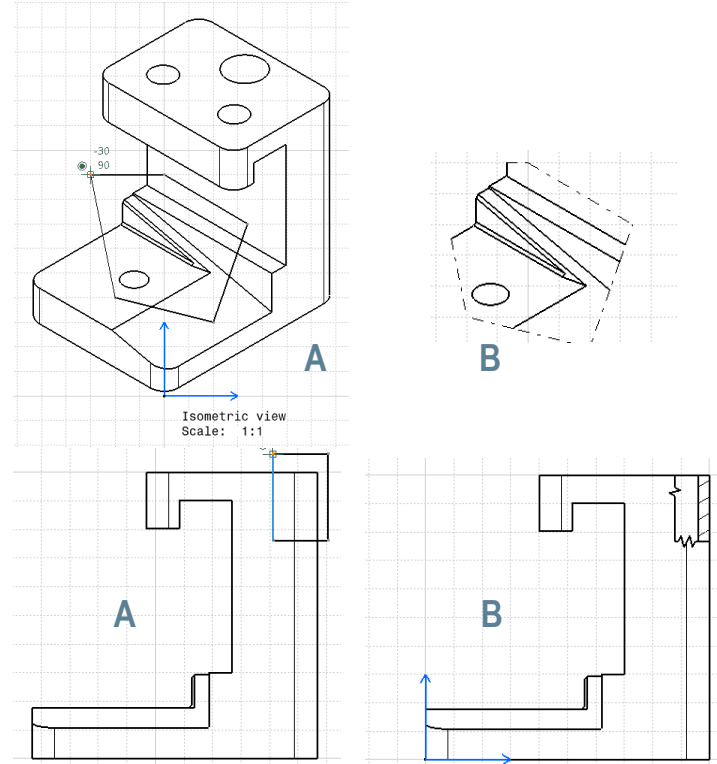
1. To best simulate the conditions of the real exam, it is best NOT to print this sample exam. Since the tester software window runs concurrently with CATIA, you must switch back and forth between the two applications. Keeping this document open and consulting it on your computer while running CATIA is the best method to simulate the real exam conditions.
2. The multiple choice answers should serve as a check for you to ensure that your model is on the right track while completing this sample exam. If you do not find your answer in the selections offered then, most likely, there is something wrong with your model at that point.
3. Answers to the questions are on the last page of this document. There are also hints that can help you save time during the exam

CATIA V6 Associate (PDG) – Sample Exam

Questions #1 and 2 - Drafting

1. To create drawing view 'B' it is necessary to sketch a profile (as shown) on drawing view 'A' and insert which CATIA view type?
 - a) Offset Section View
 - b) Clipping View Profile
 - c) Projection View
 - d) Detail View

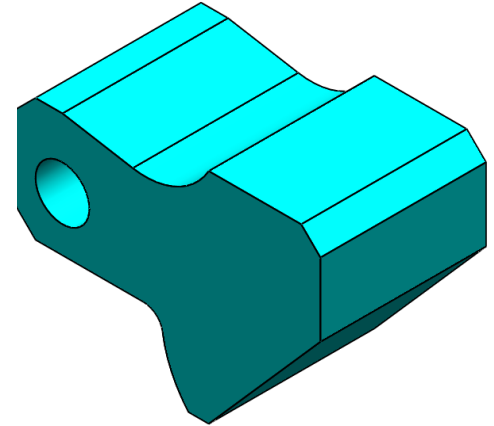
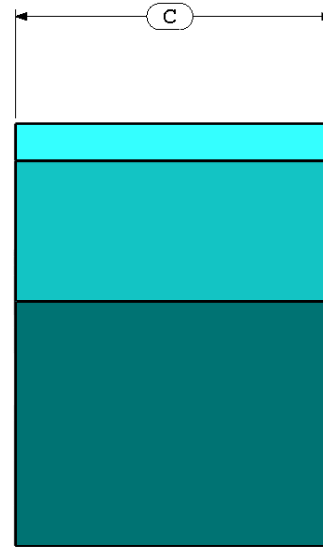
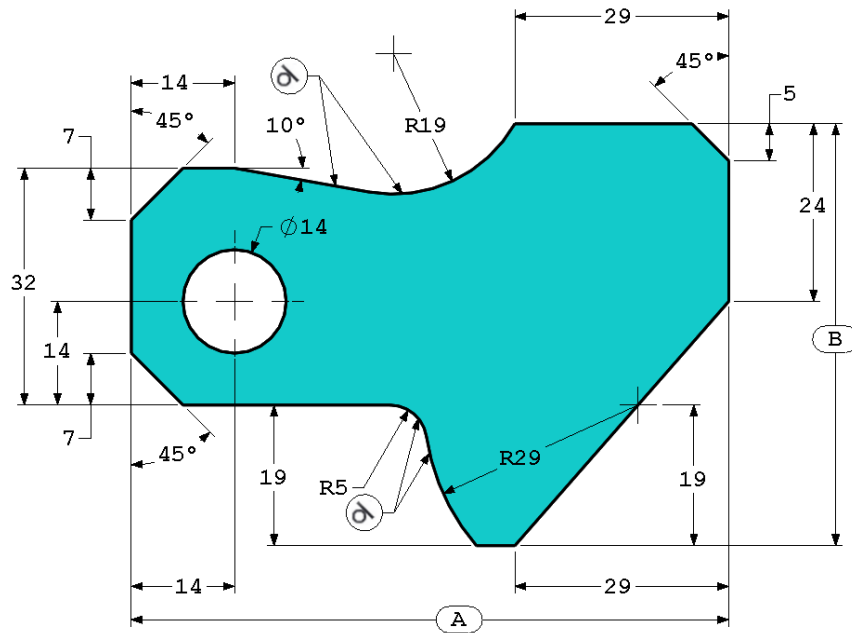
2. To create drawing view 'B' it is necessary to sketch a profile (as shown) on drawing view 'A' and insert which CATIA view type?
 - a) Auxiliary View
 - b) Detail View Profile
 - c) Breakout View
 - d) Offset Section View



CATIA V6 Associate (PDG) – Sample Exam

Questions #3 and 4 - Part Modeling

These images are to be used to answer questions #3 and 4



CATIA V6 Associate (PDG) – Sample Exam

Question #3 - Part Modeling (Tool Block) Step One

Build this part in CATIA

- Unit system: MMGS (millimeter, gram, second)
- Decimal places: 2
- Part origin: Arbitrary
- All holes through all unless shown otherwise.
- Material: Steel

- A = 81.00
- B = 57.00
- C = 43.00

- What is the overall mass of the part (grams)?

Hint: If you don't find an option within 1% of your answer please re-check your solid model.

- 1028.33
- 118.93
- 577.64
- 934.78

CATIA V6 Associate (PDG) – Sample Exam

Question #4 - Part Modeling (Tool Block) Step Two

Modify the part in CATIA

- Unit system: MMGS (millimeter, gram, second)
- Decimal places: 2
- Part origin: Arbitrary
- All holes through all unless shown otherwise.
- Material: Steel

Use the part created in the previous question and modify it by changing the following parameters:

- A = 84.00
- B = 59.00
- C = 45.00

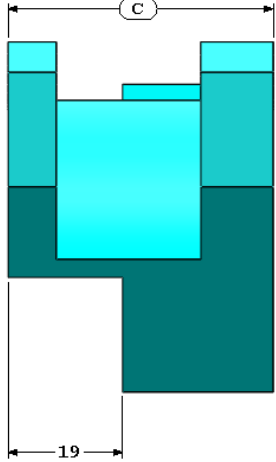
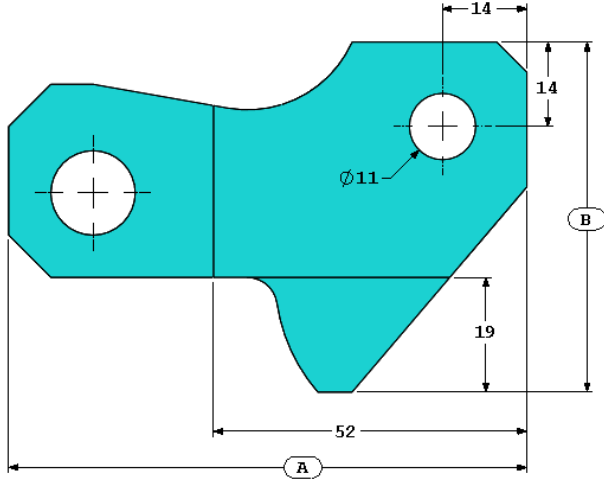
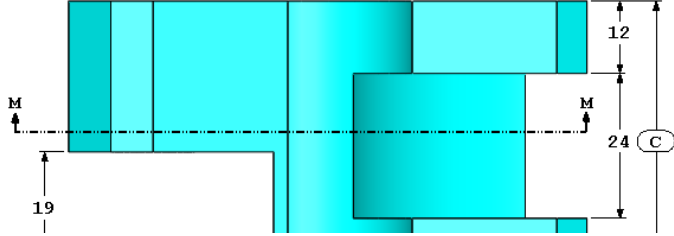
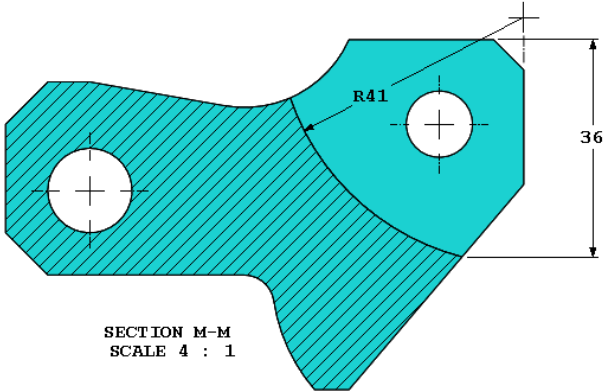
Note: Assume all other dimensions are the same as in the previous question.

- What is the overall mass of the part (grams)?

CATIA V6 Associate (PDG) – Sample Exam

Question #5 - Part Modeling

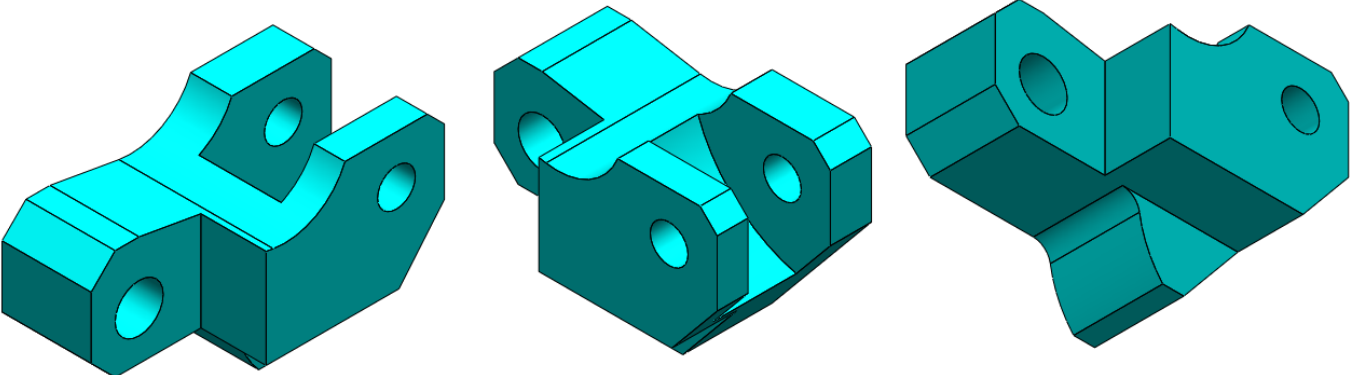
These images are to be used to answer question #5



CATIA V6 Associate (PDG) – Sample Exam

Question #5 - Part Modeling (cont'd)

These images are to be used to answer question #5



CATIA V6 Associate (PDG) – Sample Exam

Question #5 - Part Modeling (Tool Block) Step Three

Modify this part in CATIA

- Unit system: MMGS (millimeter, gram, second)
- Decimal places: 2
- Part origin: Arbitrary
- All holes through all unless shown otherwise.
- Material: Steel

Use the part created in the previous question and modify it by removing material and also by changing the following parameters:

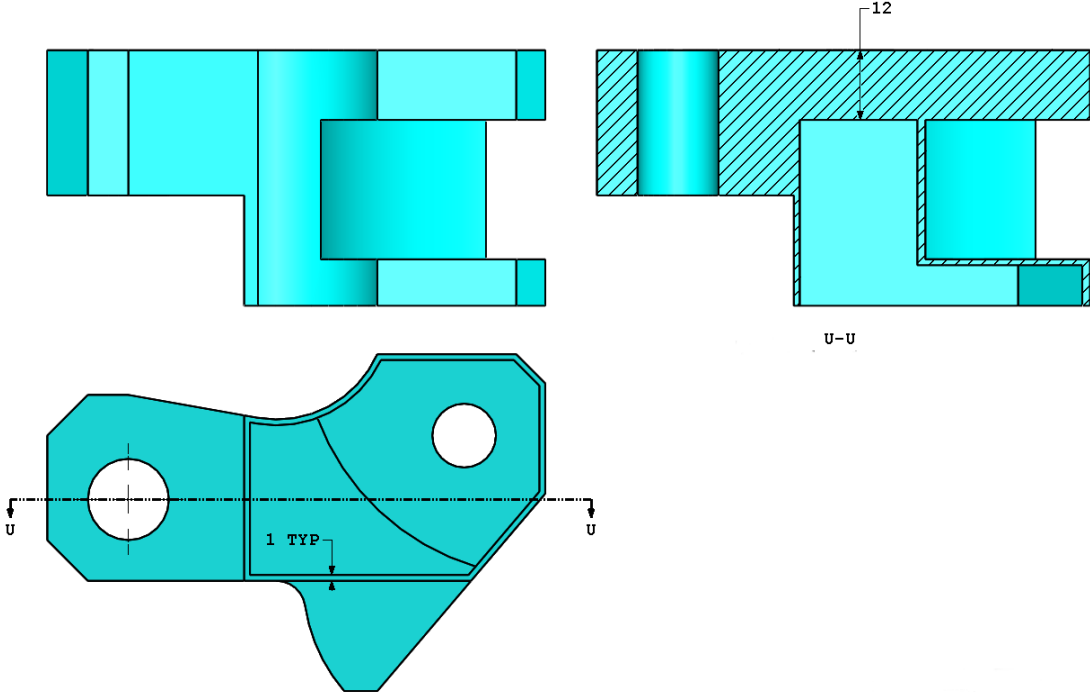
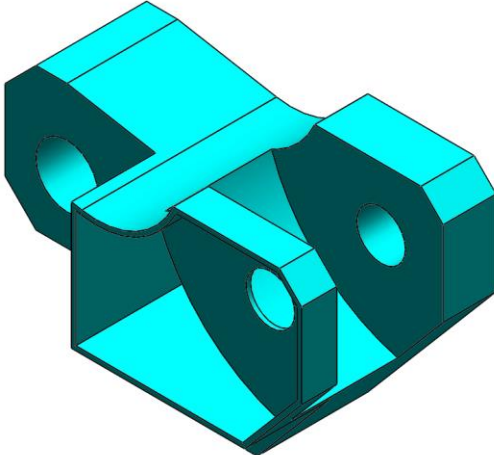
- A = 86.00
 - B = 58.00
 - C = 44.00
- What is the overall mass of the part (grams)?

.....

CATIA V6 Associate (PDG) – Sample Exam

Question #6 - Part Modeling

These images are to be used to answer question #6



CATIA V6 Associate (PDG) – Sample Exam

Question #6 - Part Modeling (Tool Block) Step Four

Modify this part in CATIA

- Unit system: MMGS (millimeter, gram, second)
- Decimal places: 2
- Part origin: Arbitrary
- All holes through all unless shown otherwise.
- Material: Steel

Use the part created in the previous question and modify it

Note 1: This modified part is not symmetrical.

Note 2: Assume all unshown dimensions are the same as in the previous question #5.

- What is the overall mass of the part (grams)?

.....

CATIA V6 Associate (PDG) – Sample Exam

Answers

1. b) Clipping View Profile
2. c) Breakout View
3. d) 934.78 g
4. 1027.09 g
5. 625.00 g
6. 430.39g

